

ALFA



MODERNO Portable

Data Sheets - Scheda Tecnica



ANTIQUE RED
FXMD-PT-GROA

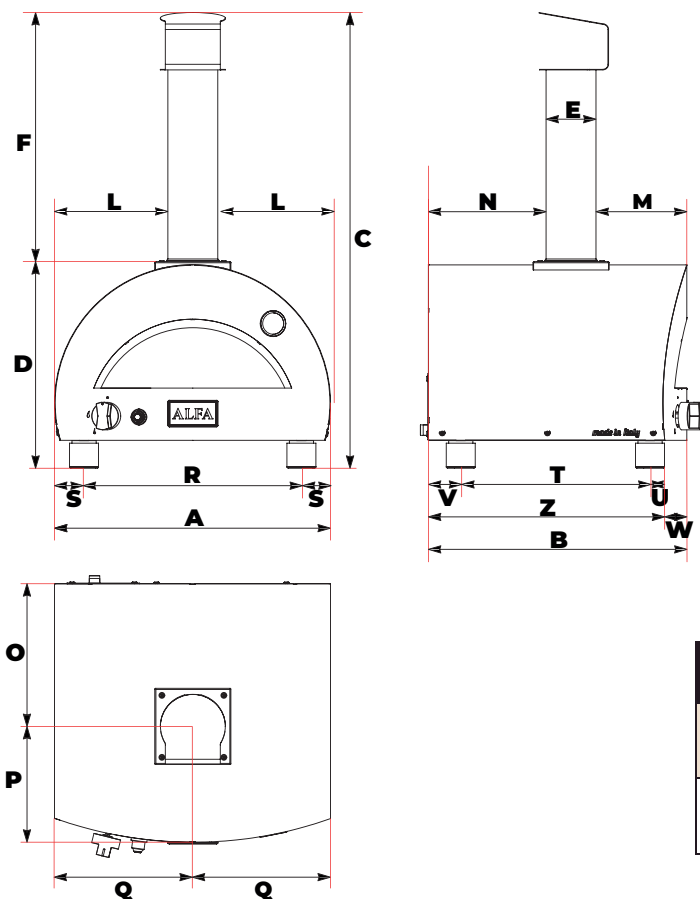
ARDESIA GREY
FXMD-PT-GGRA

Weight Peso	35 kg 77 lbs
Cooking floor Piano Cottura	40 x 40 cm 16 x 16 in
Max oven temperature Temperatura massima	500°C 1000°F
Heating time Minuti per scaldare	30'
Pizza capacity Numero Pizze	1 Pizza Ø33cm
Heat capacity Potenza nominale	7 kW

Materials Materiali	Stainless Steel, iron sheet, Ceramic fiber Acciaio inox, lamiera ferro, Fibroceramica
Type of refractory Tipo di refrattario	Alumina silicate HeatKeeper™ Firebrick Tavella HeatKeeper™ silico-alluminoso
Recommended fuel Combustibile consigliato	LPG gas (G30 / G31) Gas GPL (G30 / G31)
Gas category Categoria gas	I3+ GPL
G30 / G31 operation Funzionamento a G30 / G31	28..30 / 37 mbar 11 in WC
Max consumption Consumo Massimo	0.5 kg/h



made in Italy



A	55 cm 21.7 in	O	28.6 cm 11.2 in
B	51.7 cm 20.4 in	P	23.5 cm 9.3 in
C	91.2 cm 35.9 in	Q	27.7 cm 10.9 in
D	41.3 cm 16.3 in	R	43.5 cm 17.1 in
E	∅ 10 cm 3.9 in	S	5.8 cm 2.3 in
F	49.9 cm 19.6 in	T	37.9 cm 14.9 in
G	36.8 cm 14.5 in	U	2.7 cm 1.1 in
H	12 cm 4.7 in	V	6.9 cm 2.6 in
L	22.7 cm 8.9 in	W	4.5 cm 1.8 in
M	18.2 cm 7.2 in	Z	47.3 cm 18.6 in
N	23.6 cm 9.3 in		

PACKAGING DIMENSIONE IMBALLO			
Width Larghezza	Depth Profondità	Height Altezza	Weight Peso
55 cm 21.6 in	58 cm 22.8 in	38 cm 15 in	40 Kg 88 lbs

Description Descrizione	Code Codice
Chimney cap Comignolo	A CMG-2-015
Chimney Canna fumaria	B TI100-430-SAT
KIT GAS 24kW	C GAS-1-015
Side gas cover Carter laterale gas	D CRT-2-035
Gas knob Manopola gas	E D14MANO-MC55
Electric generator Generatore elettrico	F GENELP003IQ
Electrical cable Cavo elettrico	F D14CAVOTV-1000
Door Sportello	G SPT-1-013
Flange Flangia	H FLG-2-015
External shell Carter esterno	I CRT-1-019
Thermometer Termometro	J D14TERM-5070
Red bricks 40x20 cm Mattoni 40x20 cm	K RRA4020
Board	L BOARD 10
Feet (n.4) Piedini	M SETPIE-M10X25
Logo Alfa (v1.0)	N D14PLAC-ALFA

